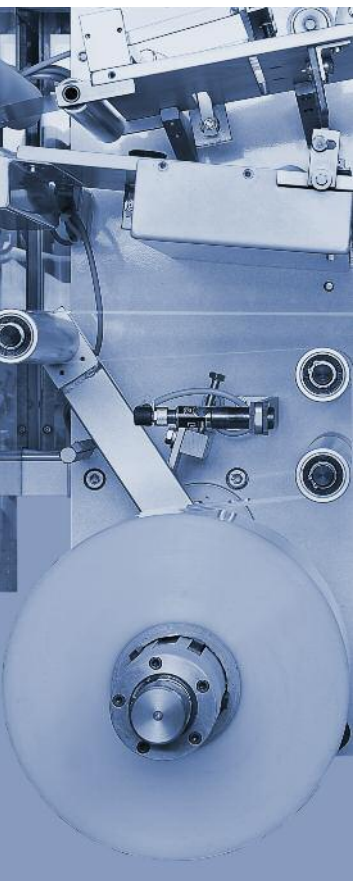


PERFECTION



Petri folding machines



Solutions to meet tomorrow's requirements



Each of our machines incorporates more than 70 years' experience in the production of machinery. Petri Verpackungstechnik GmbH is a medium-sized company, specialized in film and paper wrapping machines. Petri is worldwide one of the market leaders regarding performance of machines and the quality of folding. We readily take on even difficult packaging tasks and develop and implement solutions for our customers. In this respect, our personnel are our

most valuable asset at our location in Löhne. We are constantly expanding our team of technicians, mechanics and electricians through the Petri skilled labor training. Short decision making processes and a high vertical range of manufacture guarantee short delivery times and secure our competitive edge over our competitors worldwide.

Petri machines for the future of your business!



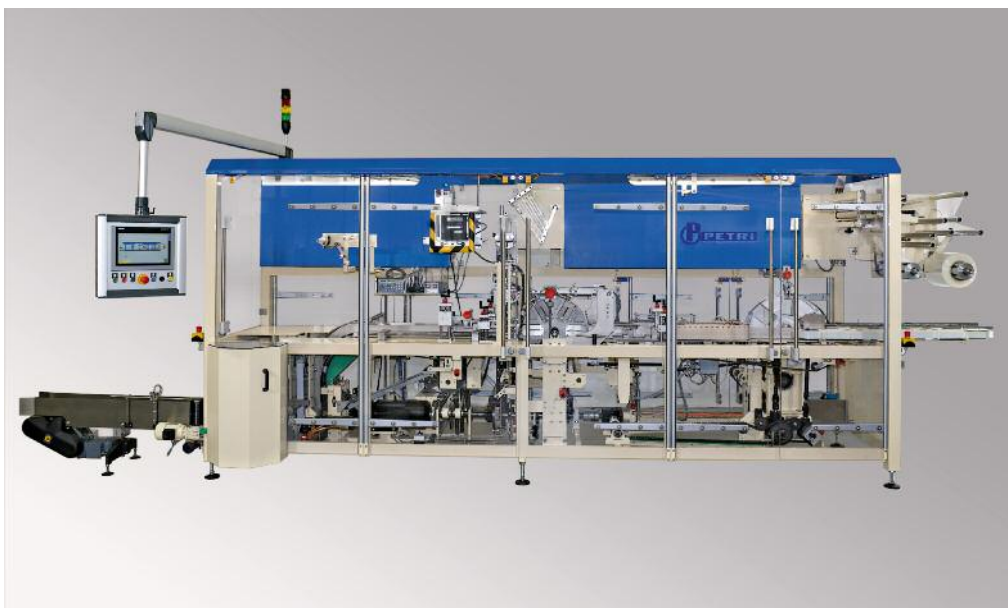
Unwinding of large rolls of up to ø 1,2 m



Multi-folding station with a rotary plate



W 250. Compact design. Machine dimensions 2000 x 1000 x 2000 mm (l x w x h)



WR 400. High flexibility at the same time providing maximum packaging height

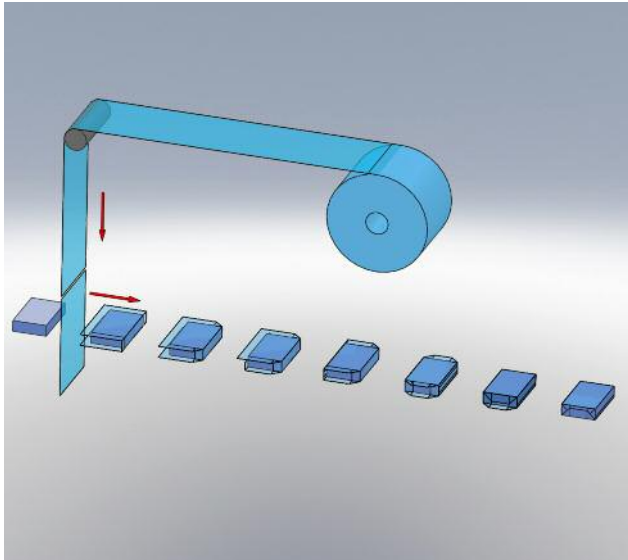


WR 500. Film width 300 mm and film draw-off at 500 mm

Intelligent technology for exact folding results



Our performance – your advantage

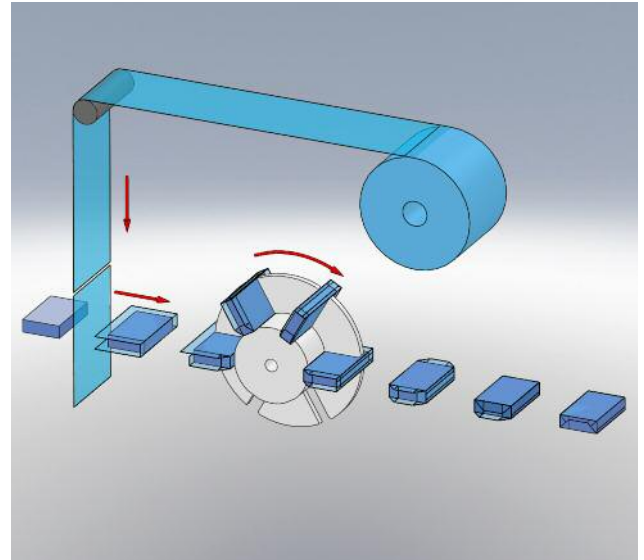


Working principle W-machine

Types of packaging

You define the product to be packaged by our machine.

- Single packs
- Multi-packs
- Multi-row and multilayer packages
- Side sealed bags
- Oval or round packaging
- Stable or unstable packaging
- Paper - and sanitary articles



Working principle WR-machine

Additional devices

- Attachment of a tear-off strip for easy opening of the packaging
- Automatic film roll replacement
- Photoelectric print image recognition
- Stacking and unstacking station for products
- Turning station for products
- Film rolls inside or outside the machine paneling
- Longitudinal sealing on the bottom of the product

Size ranges

Width: 40 - 410 mm Wrapping of single packs or multi-packs; free choice of pack formation; customized machine design.
Length: 20 - 300 mm
Height: 8 - 150 mm

Performance (depending on product)

Up to 300 wraps per minute

